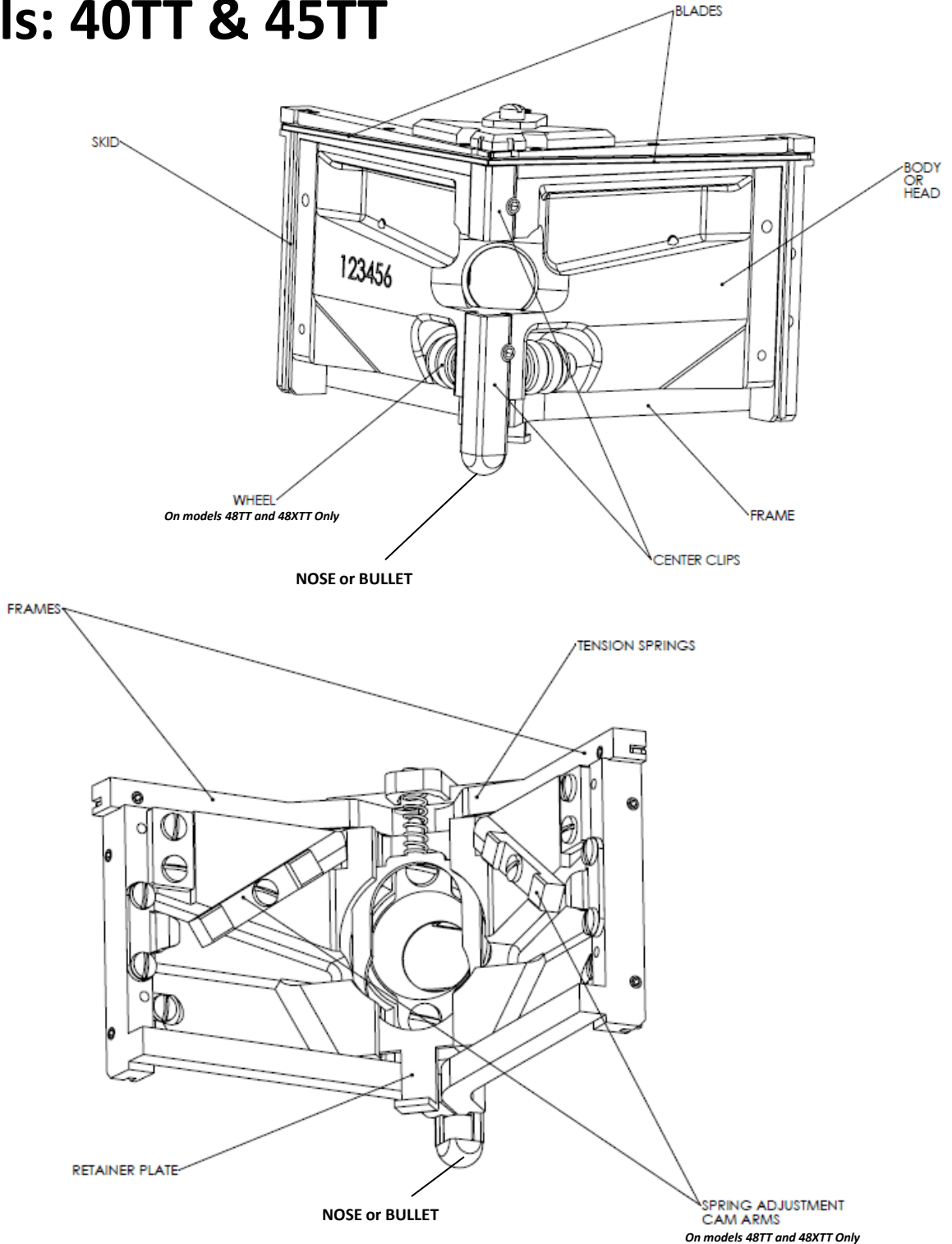


Corner Finisher

Operation and Maintenance Guide

Better – Faster – Every time

Models: 40TT & 45TT



Corner Finisher

Operation and Maintenance Guide

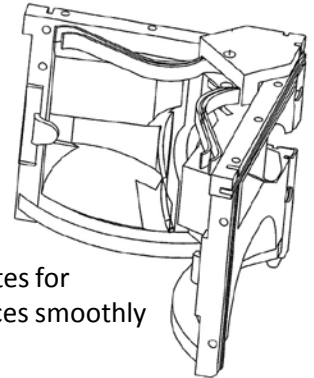
Better – Faster – Every time

Models: 40TT & 45TT

Operation

The 2" and 3" corner finishers (models 40TT and 45TT) are designed to wipe down and feather both sides of an internal corner in one pass.

They are used to follow the Corner Roller and wipe down excess compound left when the tape is embedded into the corner. The spring action compensates for corners that are slightly over or under 90 degrees and the blade design produces smoothly feathered internal corners.



When using the corner finisher to wipe down internal corners after the corner roller, snap the corner finisher onto the ball-end handle (model HF or HFRE) and use it as a plow, with the nose end leading. Work from the bottom to the top of vertical angles and from one end to the other on ceiling angles. Detail wall and ceiling corner intersections with a drywall knife.

After the tape coat has dried, the corner finisher is used in conjunction with the corner applicator (model 35TT or 50TT) or the MudRunner® to apply the finish coat over the internal corners.

Snap the corner finisher onto the corner applicator or MudRunner® and fill the applicator with joint compound. With the nose end of the corner finisher leading, start on the bottom of the vertical corner and apply pressure to the corner applicator or twist the MudRunner® grip to start the flow of compound, while moving the tool along the corner. About 3 feet (1 m) from the floor, release the pressure on the corner applicator and sweep it away from the corner. Then, starting at the top of the corner, pull the tool down the corner and release the pressure when you reach the compound left on the previous pass. Now sweep the corner applicator and corner finisher away from the corner. Ceiling corners are finished using the same methods.

Maintenance

Clean thoroughly after every use, with a brush and water (or a water hose) to remove all joint compound from the tool. Then, after the tool is clean, lightly oil with Ames® Bazooka® Oil or any light machine oil